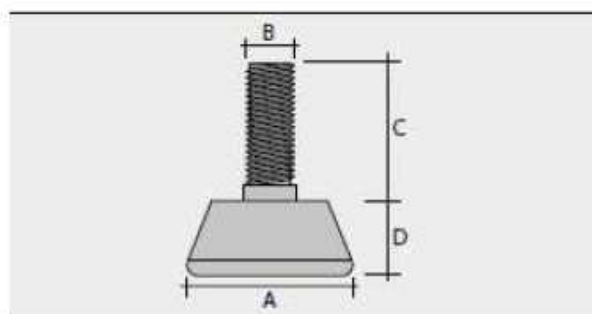


Regolabili con base in PE nero e gambo in FE zincocromato
Adjustable foot with black PE base and zinc-plated iron screw

PRP

Codice Code	ØA	B	C	D
11.40.150.63	30	M8	20	11.5
11.40.151.63	40	M8	25	14.5
11.40.152.63	30	M10	20	11.5
11.40.153.63	40	M10	25	14.5
11.40.154.64	50	M10	35	17.0
11.40.155.64	50	M12	35	17.0
11.40.310.64	60	M12	37	17.0
11.40.311.64	60	M10	37	17.0



MAXIMUM CAPACITY 114015063N PRP = 150 KG